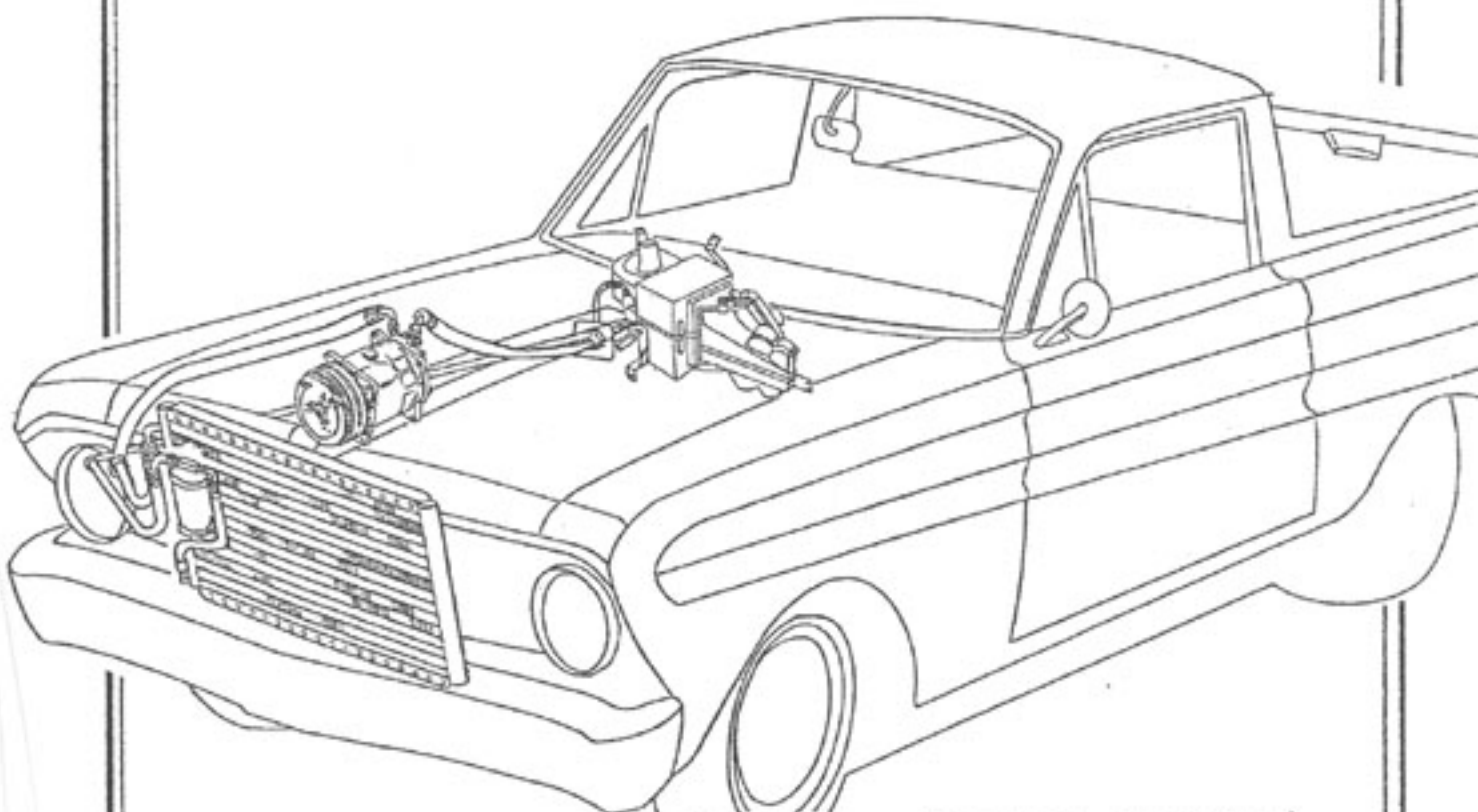


VINTAGE AIR

10305 IH 35 N • SAN ANTONIO • TEXAS 78233 • PH 512-654-7171

INSTALLATION INSTRUCTIONS

'64/'65 RANCHERO / FALCON
55065-VFZ-A



REFRIGERATION CAPACITIES: R-134a 1.8lbs. (28.8 oz. by weight)
R-12 2.0lbs. (32.0 oz. by weight)

LUBRICANT CAPACITIES: NEW COMPRESSOR - NO ADDITIONAL OIL NEEDED
USED COMPRESSOR - CONSULT VINTAGE AIR

BEFORE STARTING INSTALLATION, CHECK THE FUNCTION OF THE VEHICLE (HORN, LIGHTS, ETC.) FOR PROPER OPERATION. STUDY THE INSTRUCTIONS, ILLUSTRATIONS, AND DIAGRAMS. DISCONNECT BATTERY.

1. REMOVE THE FOLLOWING (FIGURE 1)

- | | |
|------------------------------|--------------------------------|
| 1. GLOVE BOX DOOR | 4. OEM DEFROST DUCTS (DISCARD) |
| 2. OEM GLOVE BOX (DISCARD) | 5. OEM HEATER CONTROLS |
| 3. OEM HEATER UNIT (DISCARD) | |

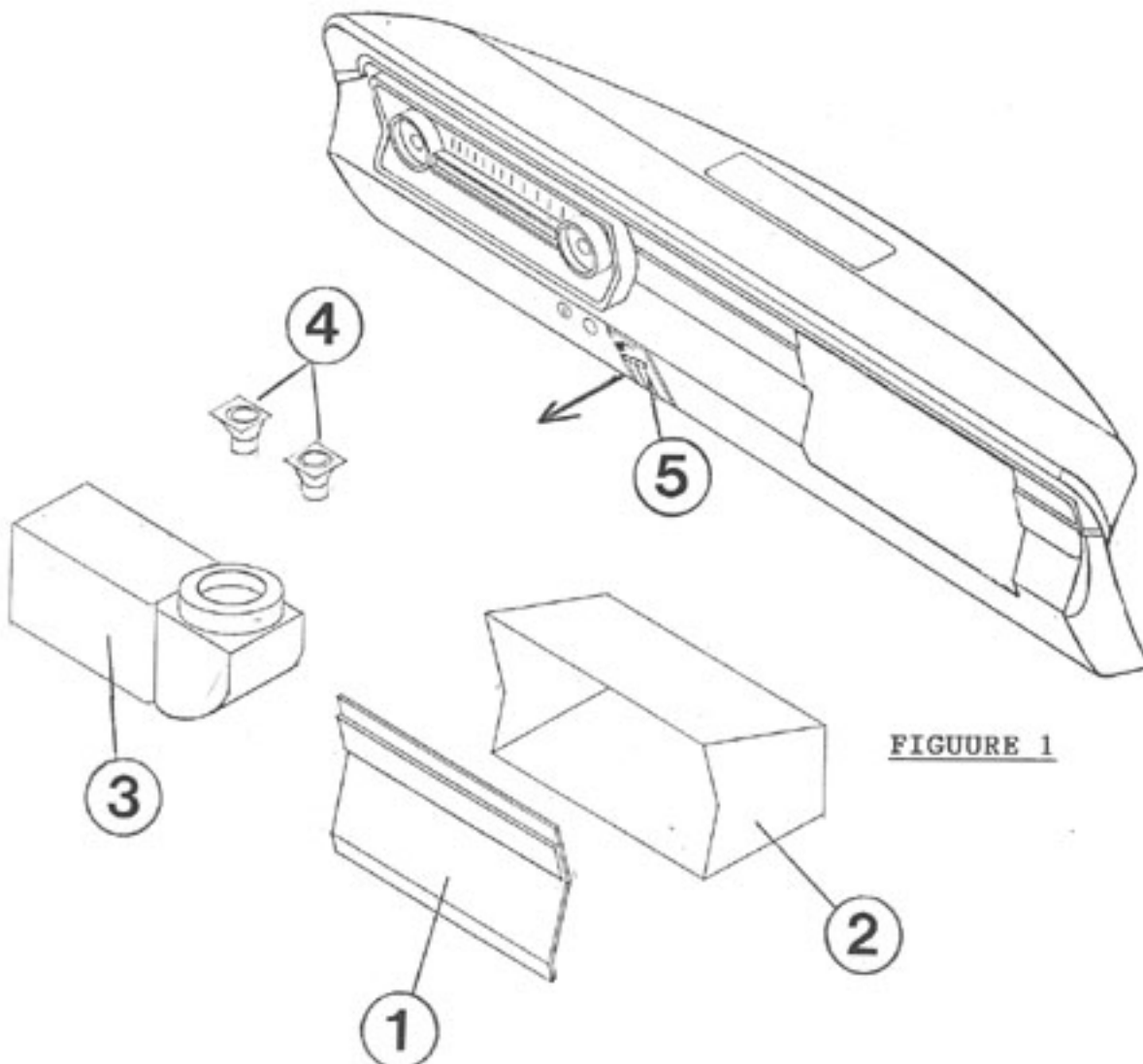
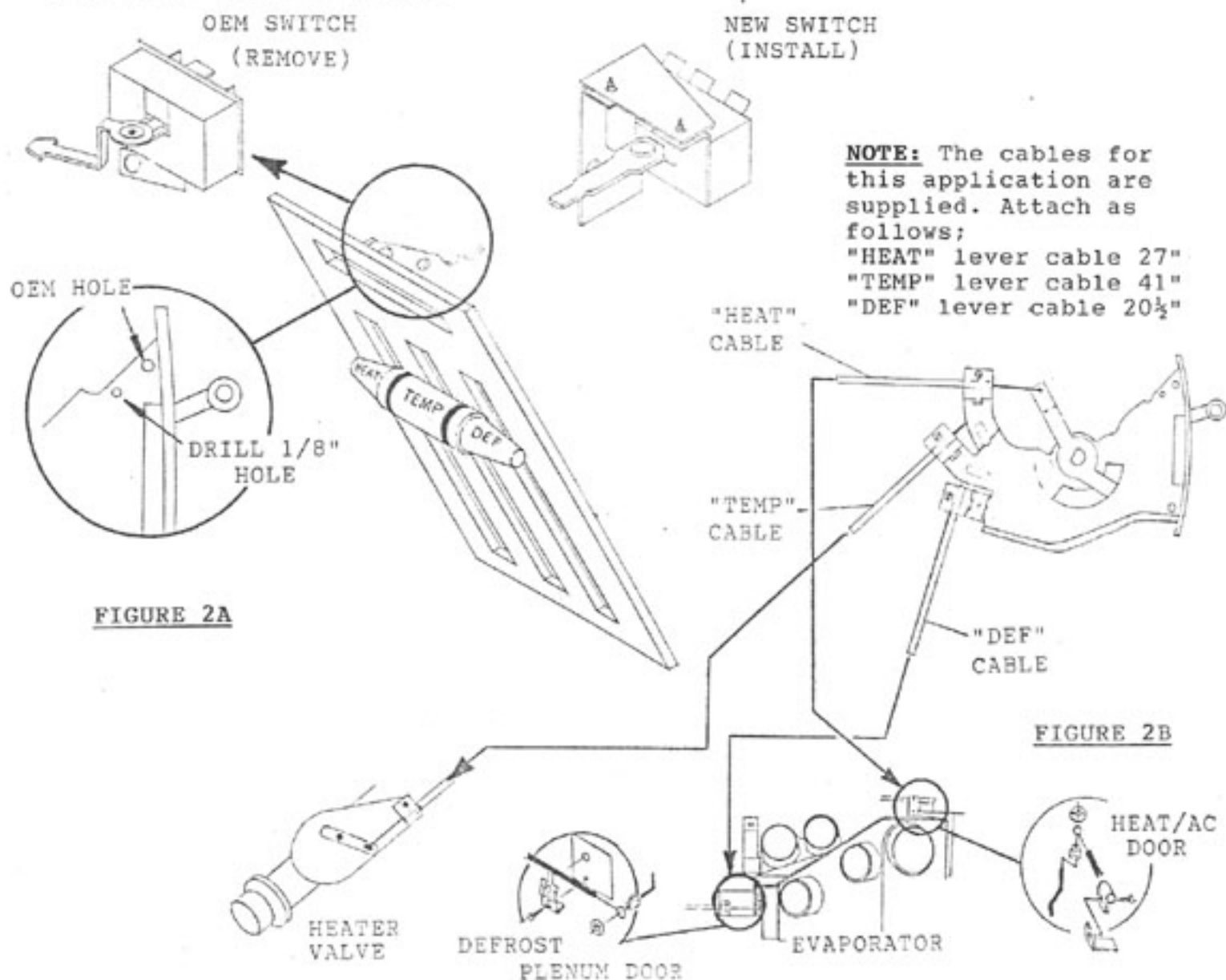


FIGURE 1

OEM HEATER CONTROL MODIFICATIONS

1. Remove the OEM blower switch and replace with the new blower switch (supplied). Use the new switch as a template to locate the 1/8" hole to be drilled. After the hole is drilled, attach the new switch using the OEM screw and a sheetmetal screw (supplied) as Figure 2A shows.
2. Attach the "HEAT" lever cable to the HEAT/AC door on the evaporator unit as Figure 2B shows.
3. Attach the "TEMP" lever cable to the heater valve as Figure 2B shows.
4. Attach the "DEF" lever cable to the defrost plenum door as Figure 2B shows.

NOTE: AFTER ATTACHING THE CABLES, BE SURE THAT THEY ALLOW FOR THE FULL RANGE OF DOOR MOVEMENT ON THE EVAPORATOR AND ALLOWS THE HEATER VALVE TO COMPLETELY OPEN AND CLOSE.



EVAPORATOR INSTALLATION

1. Place evaporator on passenger side floorboard.
2. Pass the #10 and #6 A/C hoses thru the firewall from the driver compartment. Be sure that the firewall bulkhead is on the driver compartment side of the firewall.
3. Lubricate and attach the #10 and #6 A/C hoses to the evaporator as Figure 3A shows. (Be sure to include the appropriate O'RINGS.)
4. Attach the heater hoses as Figure 3A shows and as Figure 8A on page 8 shows.

FRESH AIR COVER INSTALLATION

Before the unit is installed, attach the FRESH AIR COVER (supplied) over the OEM hole under the dash using sheetmetal screws as Figure 3B shows.

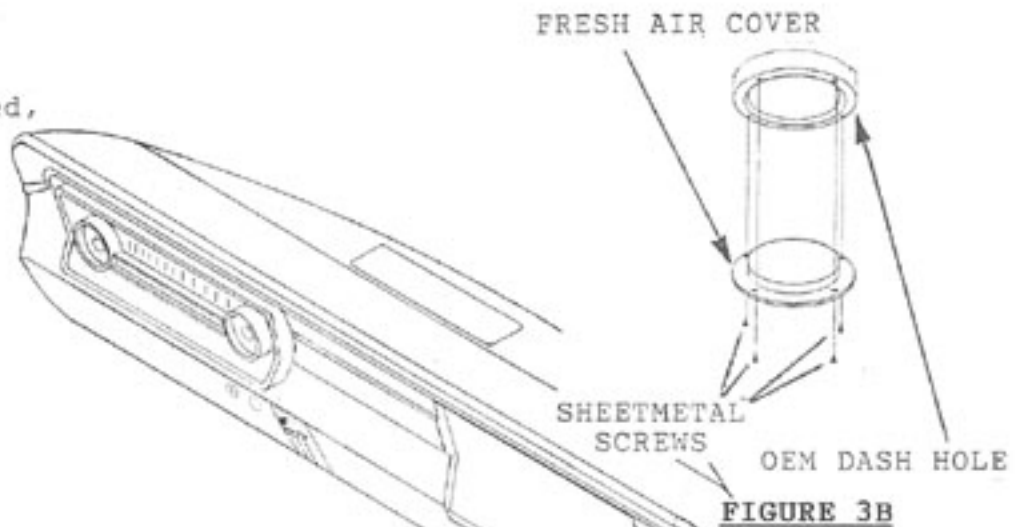


FIGURE 3B

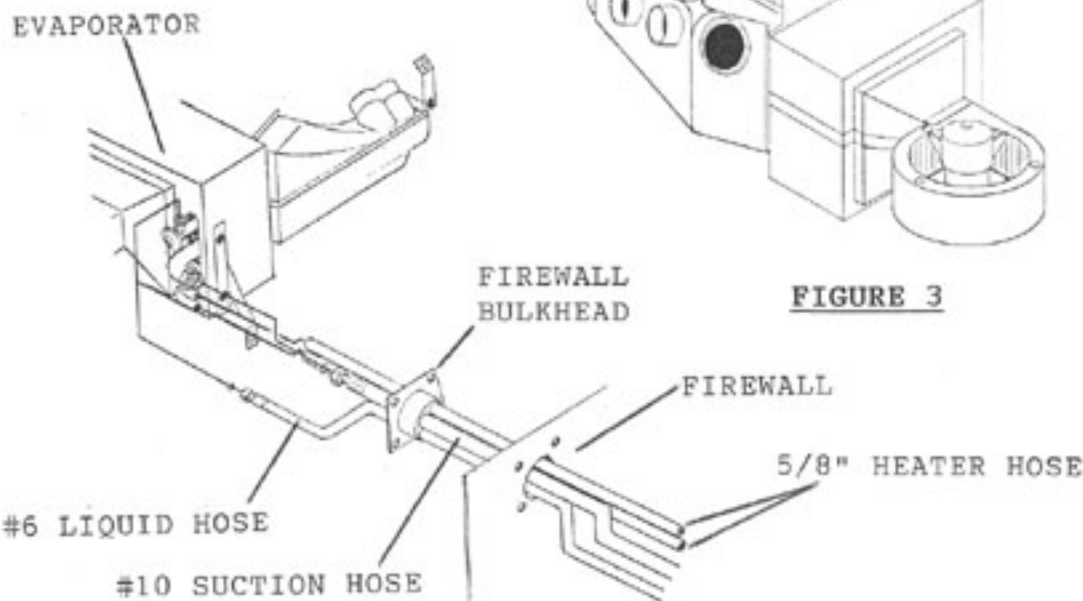


FIGURE 3

FIGURE 3A

5. Raise evaporator unit up and position under dash.
6. The back of the evaporator is supported by a bolt thru the firewall and the bracket on the back of the evaporator as Figure 4A shows.
7. The defrost plenum is supported by the wiper motor mounting bolt on the firewall as Figure 4A shows.
8. The front of the evaporator is supported by the bracket on the front of the evaporator unit. Use this bracket as a template to locate the 1/8" holes to be drilled. After holes are drilled, secure bracket with sheetmetal screws (supplied) as Figure 4B shows.

NOTE: The firewall bulkhead must be attached to the firewall before the unit is installed. This is because the evaporator bracket mounts to the lower left bolt thru the firewall bulkhead.

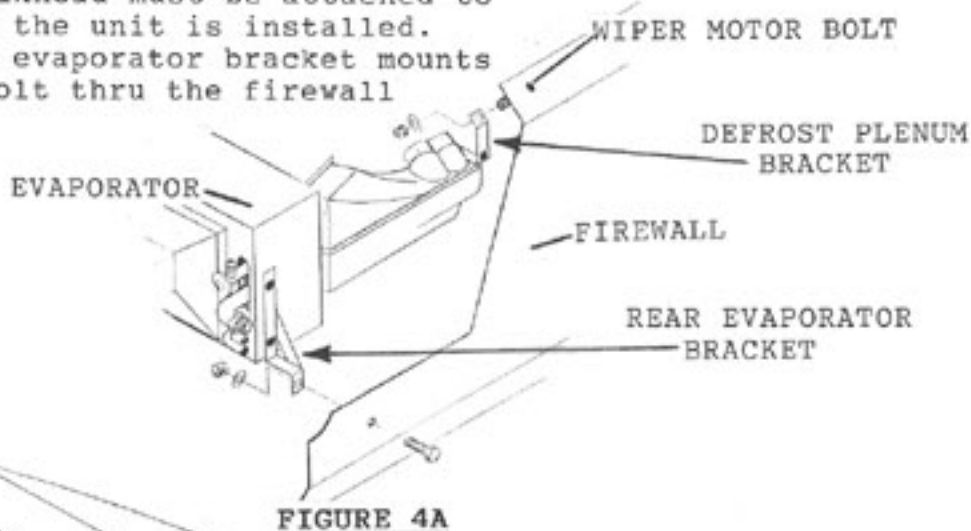


FIGURE 4A

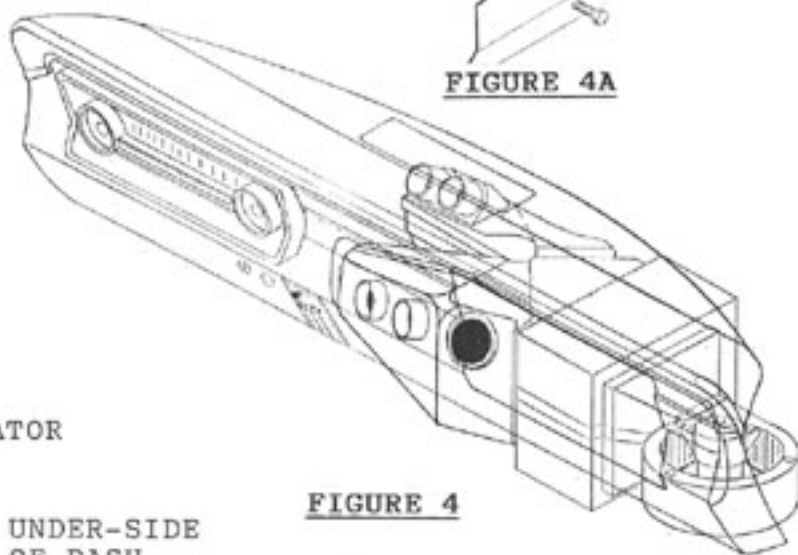


FIGURE 4

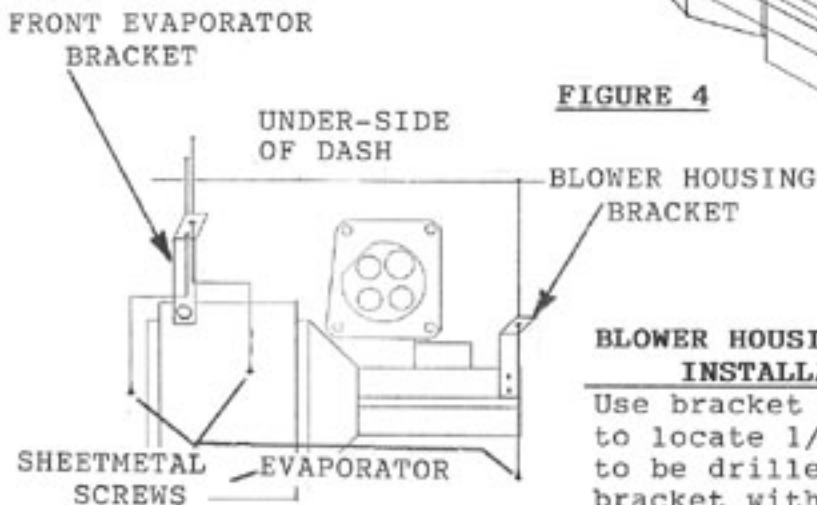


FIGURE 4B

**BLOWER HOUSING BRKT.
INSTALLATION**

Use bracket as template to locate 1/8" hole to be drilled. Attach bracket with sheetmetal screw as Figure 4B shows.

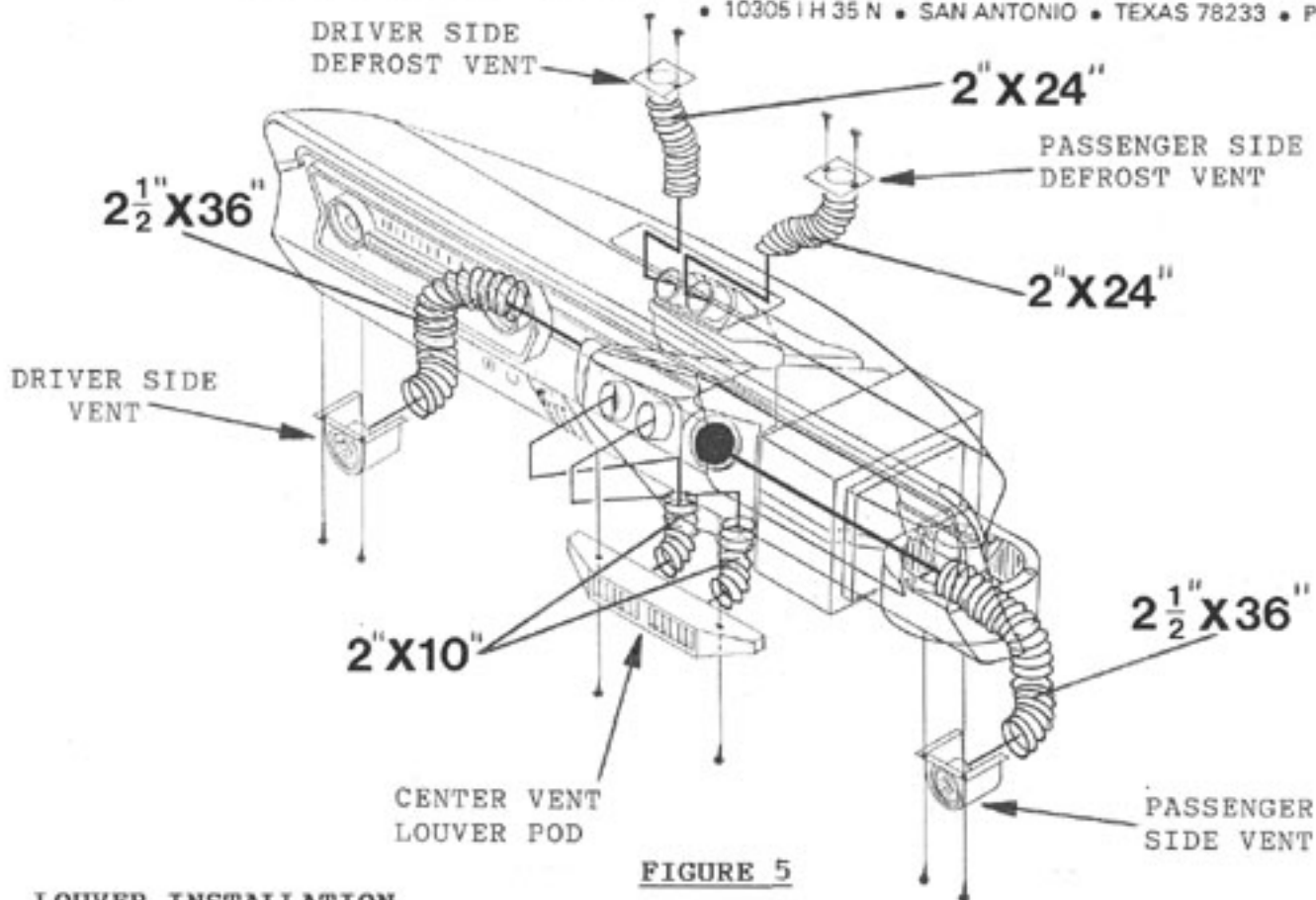


FIGURE 5

LOUVER INSTALLATION

9. Install the driver side, center, and passenger side louver vents using sheetmetal screws (supplied) as Figure 5 shows.
10. Install both the driver and passenger side defrost ducts in the OEM dash holes using sheetmetal screws (supplied) as Figure 5 shows.

DUCT HOSE ROUTING AND INSTALLATION

11. Stretch duct hose out to maximum length and cut the sizes indicated below; Route all duct hoses and attach to appropriate vent outlets as Figure 5 shows.

NOTE: With unit in place, stretch out the duct hoses tightly to their corresponding outlets on unit and recheck their length. Insure that the hose is pulled tightly with a minimum of kinks and sharp bends in the hose. This will insure maximum air flow.

DUCT HOSE LENGTHS:

| | |
|-----------------------------|----------------------|
| DRIVER SIDE VENT | : 2-1/2" X 36" |
| DRIVER SIDE CENTER VENT | : 2" X 10" |
| PASSENGER SIDE CENTER VENT | : 2" X 10" |
| PASSENGER SIDE VENT | : 2-1/2" X 36" |
| DRIVER SIDE DEFROST VENT | : 2" X 24" (pre-cut) |
| PASSENGER SIDE DEFROST VENT | : 2" X 24" (pre-cut) |

12. Drill a 5/8" hole 1" below the evaporator and in-line with the drain tube in the bottom of the evaporator unit. Insert the 1/2" drain hose (supplied) thru the firewall and attach to the drain tube on unit.

CONDENSER INSTALLATION

1. Remove the hood latch assembly, upper grille bolts, and passenger side horn as Figure 6 shows.
2. Remove the lower hood latch support brace bolt as Figure 6 shows.
3. Remove radiator if installing a fan shroud.
4. Lower the condenser into the opening between the grille and the radiator core support as Figure 6A shows.
5. The lower condenser bracket is secured between the hood latch support brace and the radiator core support by the bolt loosened in step 2 as Figure 6A shows.
6. The upper condenser bracket is secured between the hood latch assembly and the radiator core support as Figure 6A shows.
7. After the condenser and the hood latch assembly are in place, re-install and tighten all previously removed bolts.

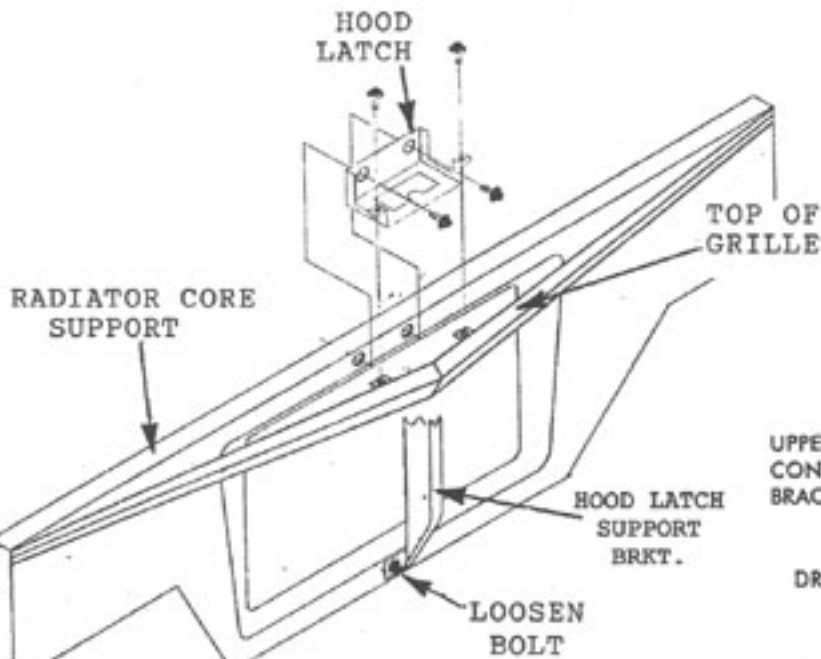


FIGURE 6

NOTE: BE CAREFUL NOT TO DAMAGE THE FINS ON THE CONDENSER DURING INSTALLATION.

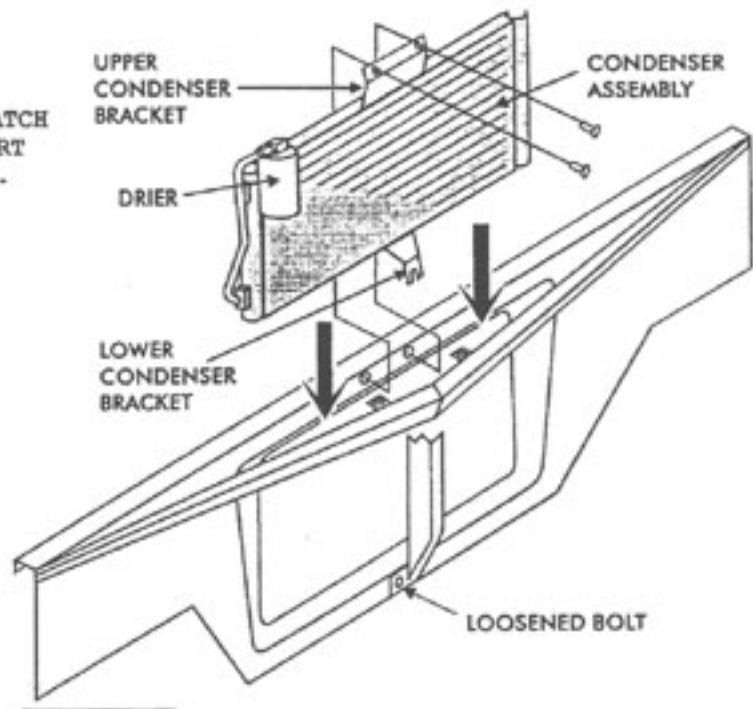


FIGURE 6A

RADIATOR CORE SUPPORT MODIFICATION

- LOCATE THE 1-1/4" O.E.M. HOLE ABOVE THE BATTERY ON PASSENGER SIDE OF THE RADIATOR CORE SUPPORT.
- MOVE TO THE PASSENGER SIDE OF THE O.E.M. HOLE AND DRILL A 1-1/4" HOLE AS SEEN IN FIGURE 7 BELOW.
- INSTALL THE APPROPRIATE RUBBER GROMMETS (SUPPLIED)

CONDENSER INSTALLATION (CONTINUED)

- LOCATE THE #8 DISCHARGE HOSE (13/32" I.D. HOSE THAT ROUTES FROM THE TOP OUTLET ON CONDENSER TO THE DISCHARGE PORT ON THE AIR COMPRESSOR). LUBRICATE THE #8 O'RING (SEE FIGURE 7A) AND INSTALL IT ON THE #8 90° FEMALE FITTING. SEE FIGURE 7. INSERT THE FITTING INTO THE INLET OF THE CONDENSER (TOP FITTING).
- LUBRICATE THE #6 O'RING (SEE FIGURE 7A) AND INSTALL IT ON THE 90° FITTING THAT CONNECTS TO THE DRIER OUTLET. THE UPPER CONDENSER BRACKET IS SECURED BETWEEN THE HOOD LATCH AND THE RADIATOR CORE SUPPORT. TIGHTEN THE LOWER OEM BOLT. LUBRICATE THE #8 O'RING. INSTALL THE O'RING ON THE FITTING AND ATTACH IT TO THE DISCHARGE PORT.

NOTE: TO EASE HOSE INSTALLATION PASS HOSES THRU THE RADIATOR CORE SUPPORT FROM ENGINE COMPARTMENT.

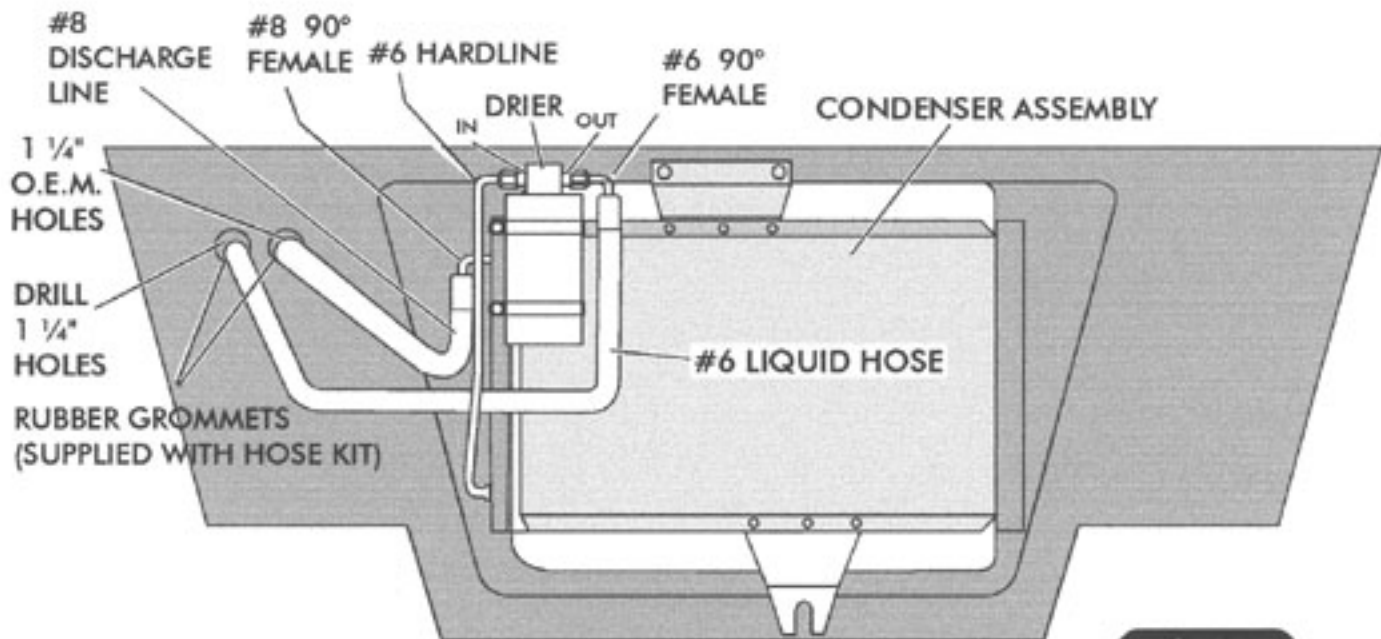


FIGURE 7

FOR A PROPER SEAL OF FITTINGS - INSTALL SUPPLIED O'RINGS AS SHOWN AND LUBRICATE O'RINGS AND FITTING THREADS WITH SUPPLIED OIL.



FIGURE 7A



SUPPLIED OIL FOR O'RINGS AND THREADS

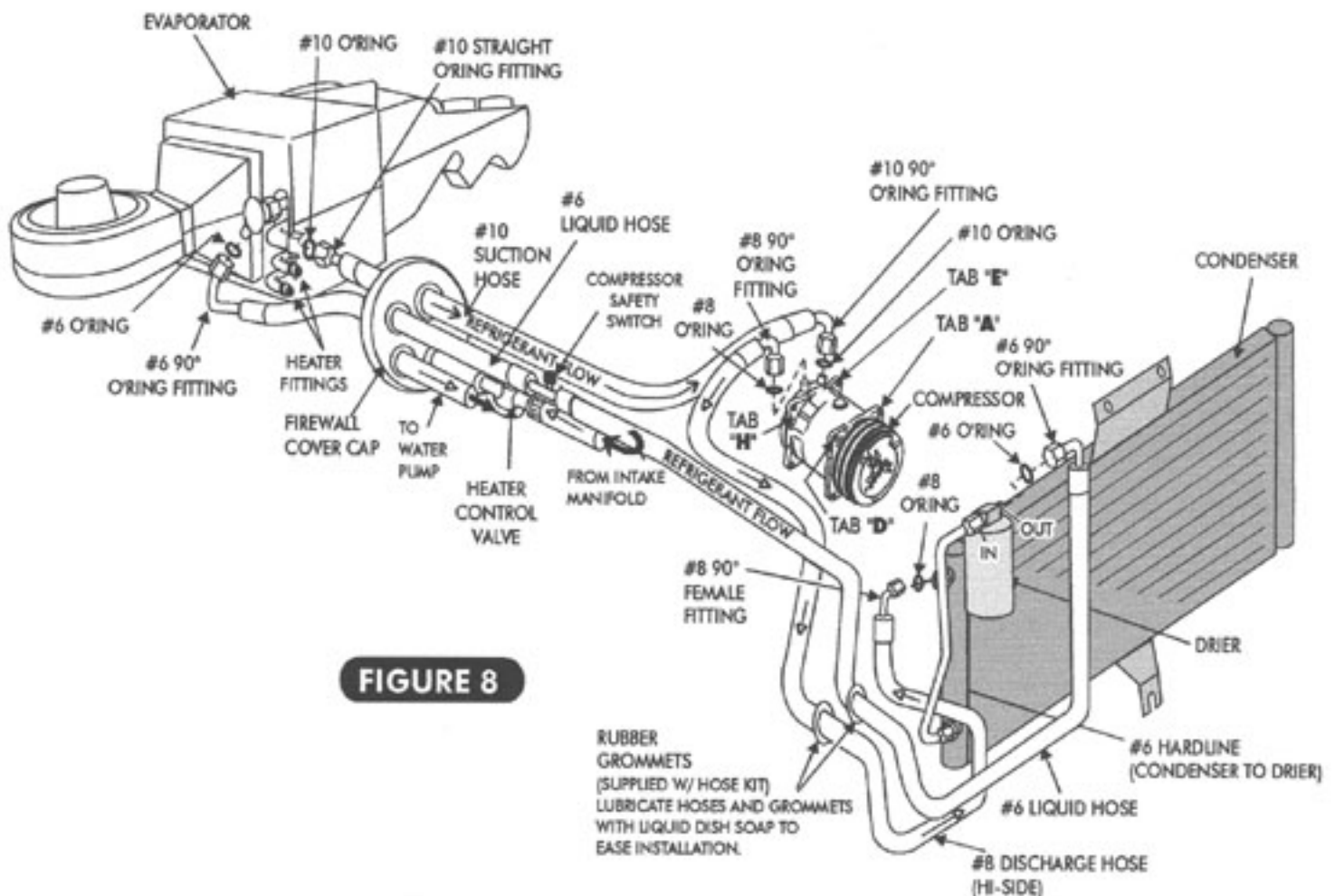
REFRIDGERATION HOSE INSTALLATION

1. Lubricate and attach the #10 SUCTION HOSE to the compressor (1/2" I.D. hose 54" long, straight female O-RING fitting on firewall end and 90° female O-RING fitting on compressor end).
2. Lubricate and attach the #8 DISCHARGE HOSE to the compressor (13/32" I.D. hose 57" long, 90° male O-RING fitting on condenser end and 90° female O-RING fitting on compressor end).
3. Lubricate and attach the #6 LIQUID HOSE from the evaporator to the drier (5/16" I.D. hose 75" long with 90° female O-RING fitting on drier end and 90° female O-RING fitting on evaporator end).

HEATER HOSE AND HEATER VALVE INSTALLATION

4. Install the heater hoses and heater valve as Figure 8A shows.

NOTE: The heater hoses for this application are not supplied.

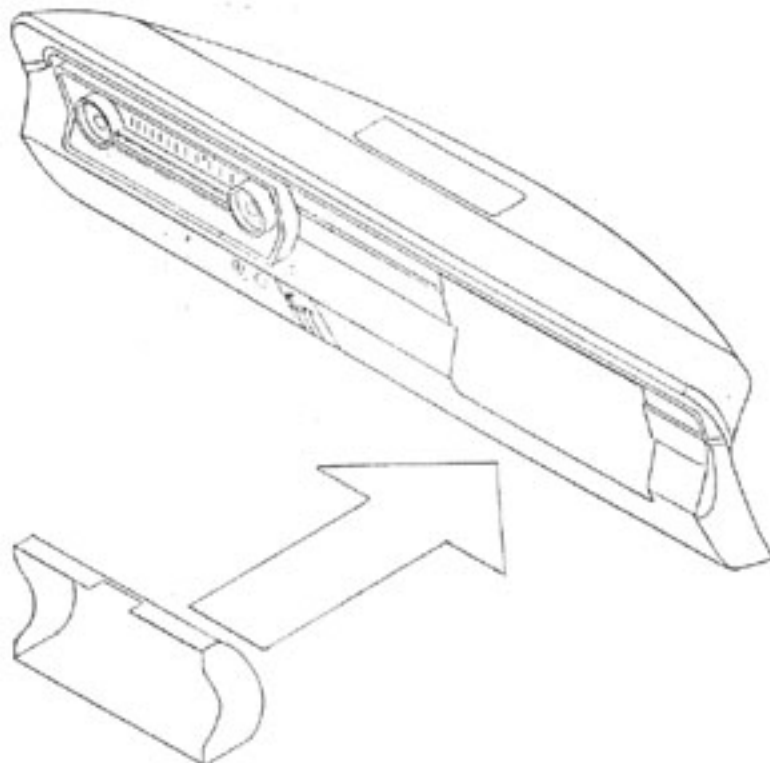


Re-attach all items removed previously.

Your system is ready to evacuate and charge. This should be done only by a certified air conditioning technician.

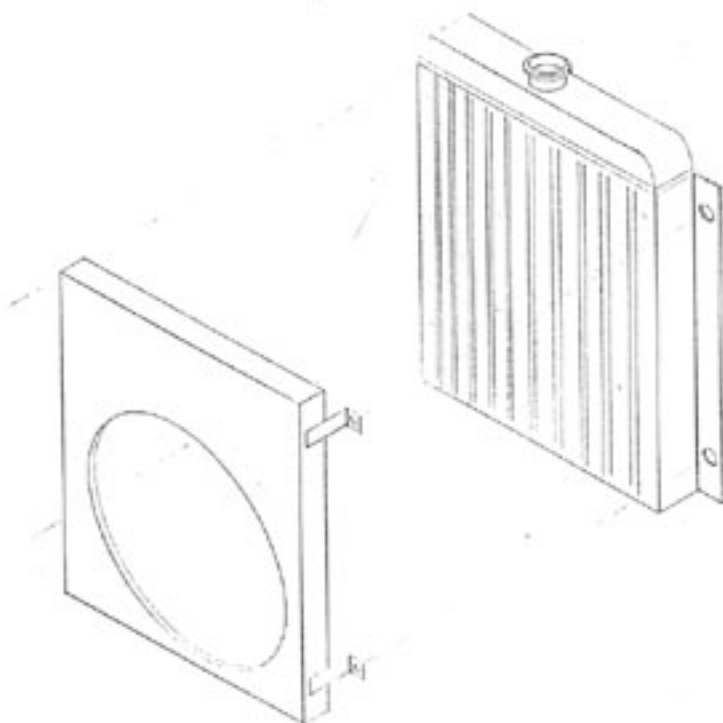
GLOVE BOX INSTALLATION

1. Install the new glove box (supplied) using the screws from the OEM glove box.
2. The new glove box mounts to the OEM glove box holes in dash.

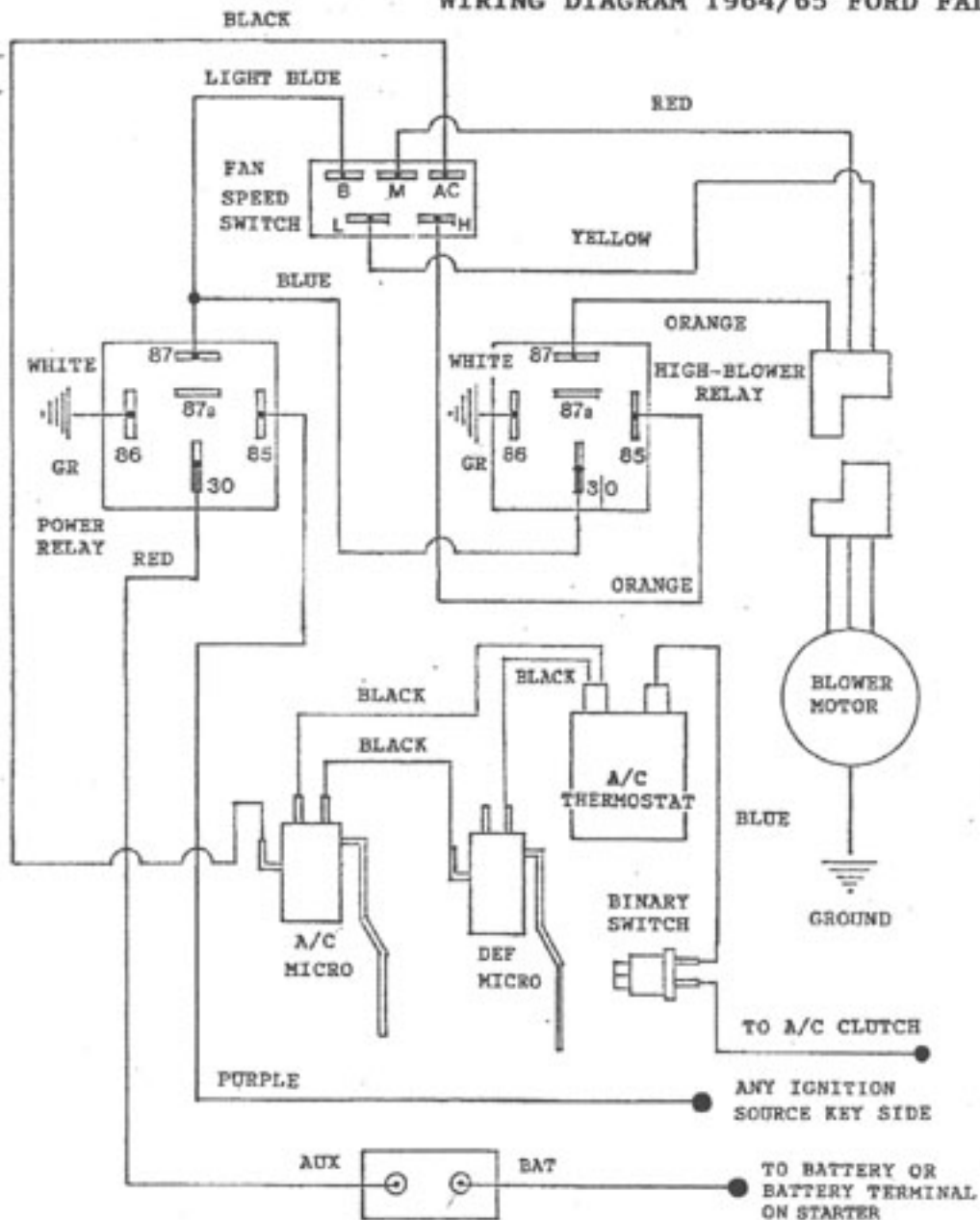


FAN SHROUD INSTALLATION

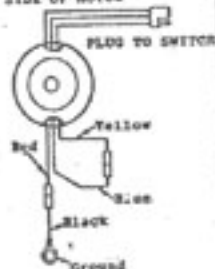
The new fan shroud mounts directly to the OEM radiator mounting points.



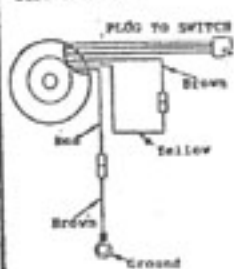
WIRING DIAGRAM 1964/65 FORD FALCON/RANCHERO



TYPE 1 MOTOR
3 WIRES OUT OF EACH
SIDE OF MOTOR



TYPE 2 MOTOR
6 WIRES OUT OF ONE
SIDE OF MOTOR



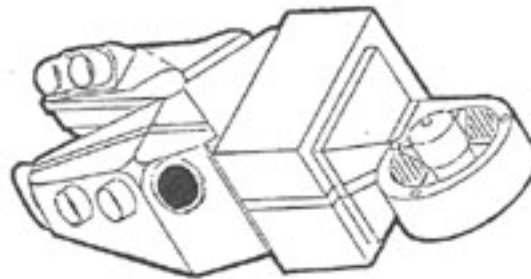
1964-65 FALCON/RANCHERO WITHOUT FA EVAPORATOR KIT PACKING LIST

EVAPORATOR KIT 55065-VFZ-A

| No. | QTY. | PART No. | DESCRIPTION |
|-----|------|-------------|---|
| 1. | 1 | 55365-VFE-A | EVAPORATOR SUBCASE _____ |
| 2. | 1 | 78165-PFN | 1964-65 FALCON/RANCHERO W/O AC _____ ACCESSORY KIT |

CHECKED BY: _____
 PACKED BY: _____
 DATE: _____

①



②



**ACCESSORY KIT
78165-PFN**